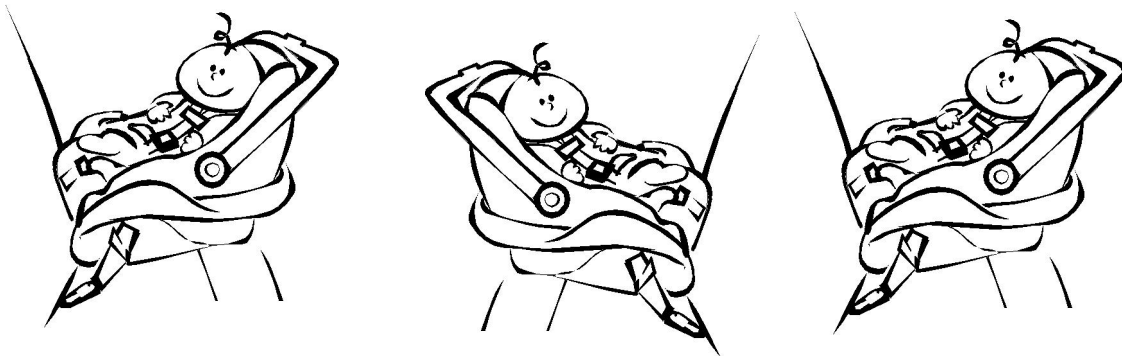
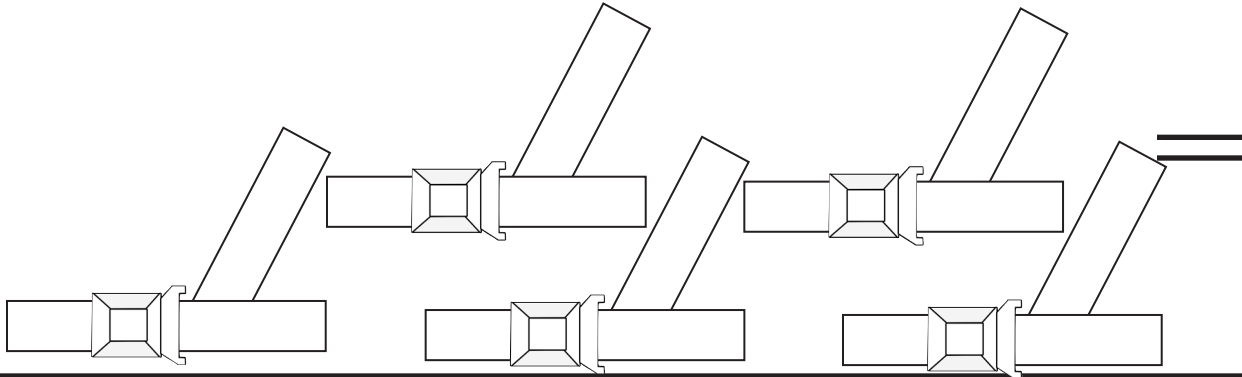


Can you help me count?

How many are in each row?



ARRIVE
ALIVE

ARRIVE
ALIVE

ARRIVE
ALIVE

=

ARRIVE
ALIVE

ARRIVE
ALIVE

ARRIVE
ALIVE

